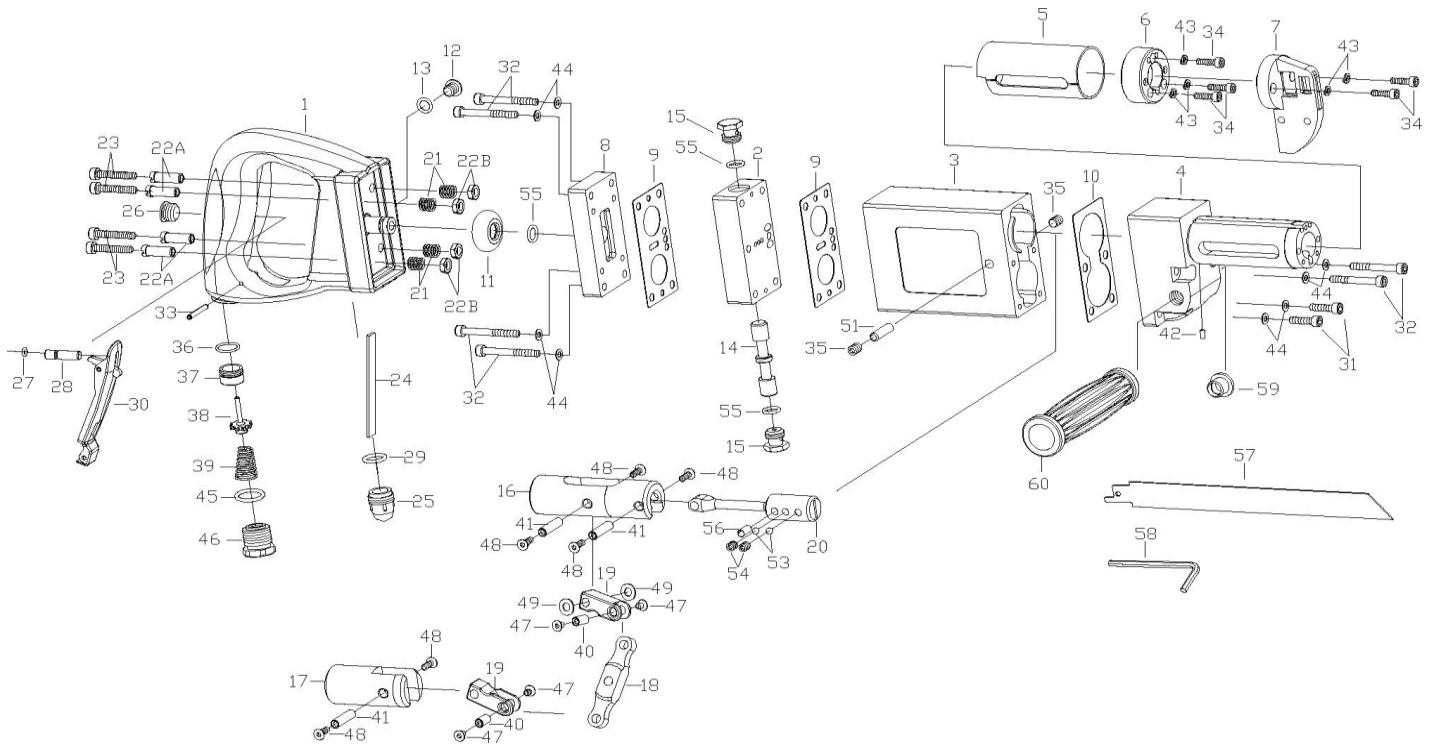


# C1902 INDUSTRIAL VIBRATION REDUCED AIR SAW KIT



## PARTS LIST

No.	Parts No.	Description	Q'ty	No.	Parts No.	Description	Q'ty
1	C1902D-01	Handle	1	32	C1902D-32	Socket Head Cap Screw	6
2	C1902D-02	Valve Unit Body	1	33	C1902D-33	Spring Pin	1
3	C1902D-03	Body	1	34	C1902D-34	Socket Head Cap Screw	5
4	C1902D-04	Front End Housing (3/4" Slot)	1	35	C1902D-35	Set Screw	2
5	C1902D-05	Silencer Guard	1	36	C1902D-36	O-Ring	1
6	C1902D-06	End Cap (3/4" Slot)	1	37	C1902D-37	Valve Seat	1
7	C1902D-07	Nosepiece (3/4" Slot)	1	38	C1902D-38	Actuating Valve Ass'y	1
8	C1902D-08	Rear Block	1	39	C1902D-39	Spring	1
9	C1902D-09	Gasket- Valve Unit Body	2	40	C1902D-40	Hollow Shaft (S)	2
10	C1902D-10	Gasket- Body To Front End Housing	1	41	C1902D-41	Hollow Shaft (L)	3
11	C1902D-11	Bumper	1	42	C1902D-42	Spring Pin	1
12	C1902D-12	Set Screw	1	43	C1902D-43	Spring Washer	5
13	C1902D-13	O-Ring	1	44	C1902D-44	Spring Washer	8
14	C1902D-14	Valve Rod	1	45	C1902D-45	O-Ring	1
15	C1902D-15	Valve Rod Cap	2	46	C1902D-46	Air Inlet Bushing	1
16	C1902D-16	Top Piston	1	47	C1902D-47	Screw	4
17	C1902D-17	Bottom Piston	1	48	C1902D-48	Screw	6
18	C1902D-18	Middle Link Rod	1	49	C1902D-49	Washer	2
19	C1902D-19	Outer Link Rod	2	51	C1902D-51	Roll Pin	1
20	C1902D-20	Connecting Rod	1	53	C1902D-53	Steel Ball	2
21	C1902D-21	Spring	4	54	C1902D-54	Set Screw	2
22A	C1902D-22A	Bolt Sleeve	4	55	C1902D-55	O-Ring	3
22B	C1902D-22B	Nut	4	56	C1902D-56	Spring Pin	1
23	C1902D-23	Screw	4	57	C1902D-57A	(3/4") 300-8/12-SL Saw Blade	1
24	C1902D-24	Oil Pad	1		C1902D-57B	(3/4") 300-14-ST Saw Blade	1
25	C1902D-25	Visible Oil Container	1	58	C1902D-58	3mm Hex. Wrench	1
26	C1902D-26	Plug Screw	1	59	C1902D-59	Plug	1
27	C1902D-27	O-Ring	1	60	C1902D-60	Hand Grip	1
28	C1902D-28	Throttle Valve Stem	1	C1902D-SK	Service Kit [Incl. 10, 11, 13, 25, 27, 29, 38, 40, 41, 43, 45, 49, 53, 55] (Opt.)	1	
29	C1902D-29	O-Ring	1				
30	C1902D-30	Safety Lever Ass'y	1				
31	C1902D-31	Socket Head Cap Screw	2				